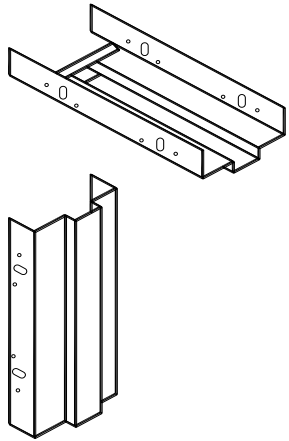
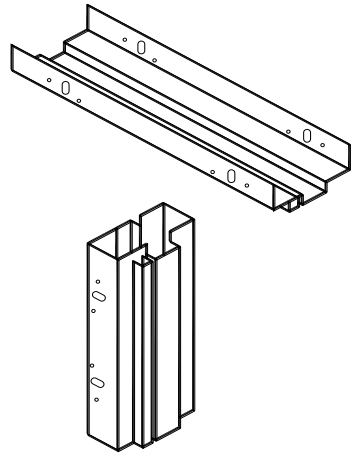


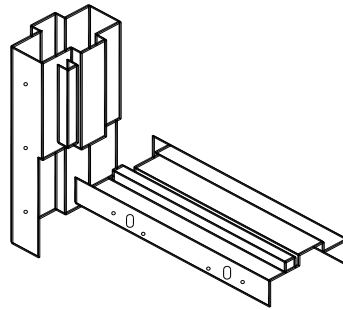
IDP Inc. FRAME DETAILS



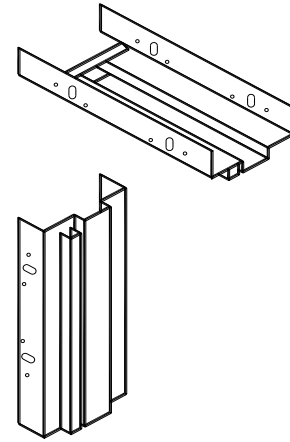
DETAIL A



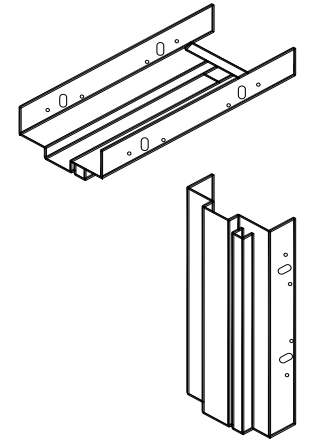
DETAIL B



DETAIL C



DETAIL D



DETAIL E



IDP Inc.
21300 W. 8 Mile Rd.
Southfield, MI 48075

Phone: 248-352-0044
Fax: 248-352-4222
www.idpframes.com

PROJECT:

JOB NO.

SHEET:

OF: