

# **IDP Entry-Fit™ Steel Door Frames**

## **Installation Instructions Borrowed Lites**



**INTERNATIONAL DOOR PRODUCTS**

**IDP Inc  
21300 W. 8 Mile Rd.  
Southfield, MI 48075  
248-352-0044  
[www.idpframes.com](http://www.idpframes.com)**

# Installation of IDP Inc. Entry Fit Borrowed Lites

## Rough Opening

(Figure 1)

### Step 1

Verify that the opening is plumb, level and square

### Vertical Mullion:

Add 1-1/4" to the total of the combined glass sizes in width. Add 2" more for each mullion used. Add 1-1/4" to height of glass size.

(Example: 36"+36"+2" [mullion] + 1" = 75" W; 48"+1" = 49" H.) (Figure 2)

### Mullion Clip Installation

#### Step 1

Select frame members that will receive mullion brackets (head and sill). Determine center line of mullion and scribe a line across the rabbets.

(Figure 3)

**Important:** All measurements should be made from the same end of the frame sections in the installed position.

#### Step 2

Position mullion bracket so scribe line centers in diamond window and the straight tab rests firmly against the stop on both rabbets.

(Figure 4)

#### Step 3

Install screws as shown.

(Figure 5)

## Installation of Frame

#### Step 1

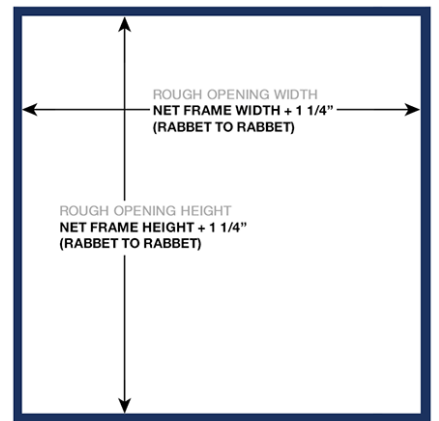
Sleeve both top and bottom horizontal sections over wall.

(Figure 6)

#### Step 2

Sleeve vertical members over wall.

(Figure 7)



BORROWED LITE ROUGH OPENING

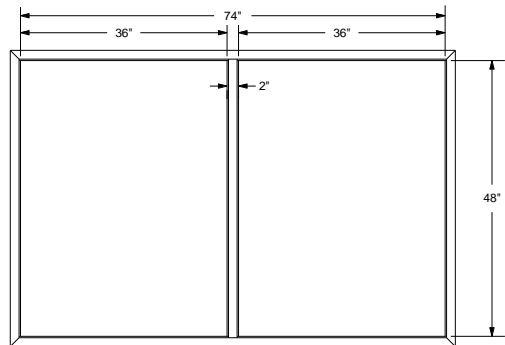


FIGURE 2

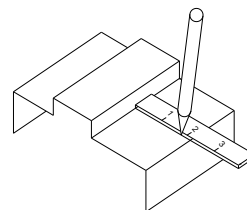


FIGURE 3

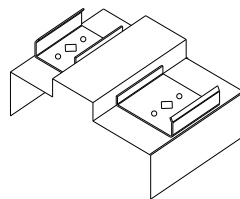


FIGURE 4

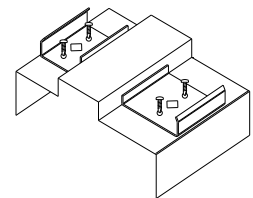


FIGURE 5

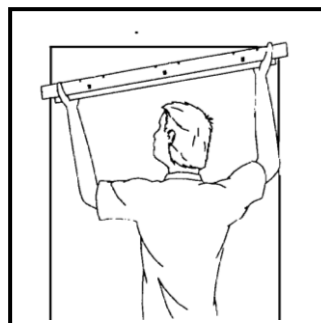


FIGURE 6

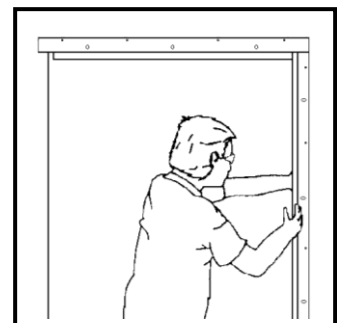


FIGURE 7

### Step 3

Bring together all vertical sections with bottom horizontal section (Figure 8), locking them together with alignment tabs and fitting the mullion post firmly on to the bottom mullion bracket.

### Step 4

Pull top horizontal section down to interlock with alignment tabs at sides and with mullion post. (Figure 9)

### Step 5

Check for square inside corners and proceed to fasten unit to wall (See Fastening Instructions below).

### Step 6

With a self-drilling screws, attach mullion to mullion clips (Figure 10) on both sides on both ends.

## Fastening Instructions

(Figure 11):

### Step 1

To secure horizontal sections, apply one (1) fastener per nail / screw hole. (Figure 11)

### Step 2

To secure vertical sections, apply one (1) fastener per nail / screw hole (Figure 11)

### Step 3

Install glass, glazing, and glass stop. (Figure 14)

See Fire Rating Chart for correct glazing material application

### Step 4

See Snap on casing instructions.

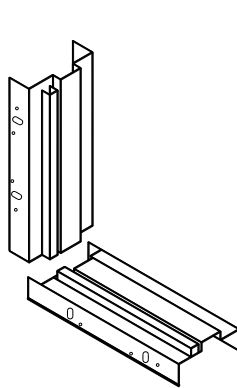


FIGURE 8

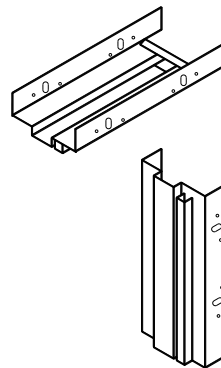


FIGURE 9

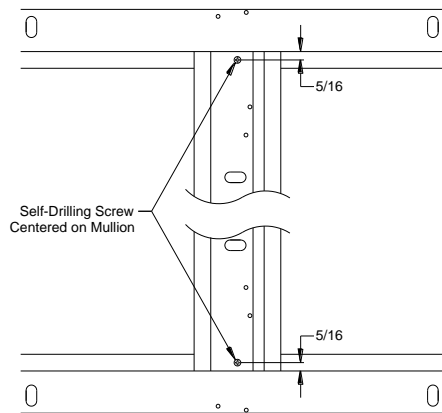
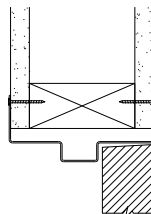
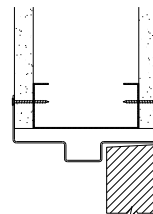


FIGURE 10



Wall Construction  
Wood Studs & Drywall  
Recommended Fasteners:  
1-1/4" (min.)  
Drywall screws  
Course thread  
or  
6d common nails



Wall Construction  
Metal Studs & Drywall  
Recommended Fasteners:  
1-1/4" (min.) Type  
"S" Bugle Head Self-  
Tapping Screws

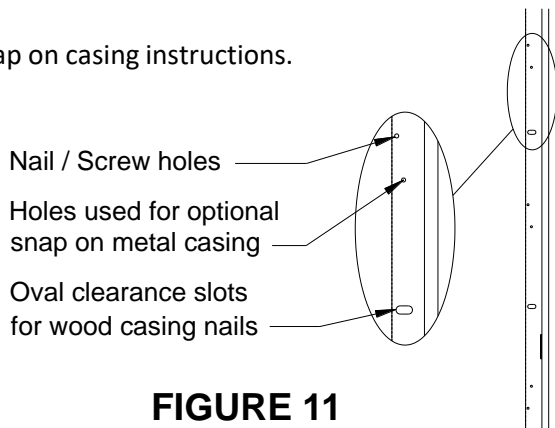


FIGURE 11

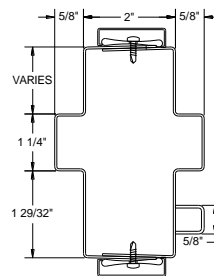


FIGURE 14