

IDP Entry-Fit™ Steel Door Frames

Installation Instructions for Surface Mounted Hardware; Closures and Exit Hardware



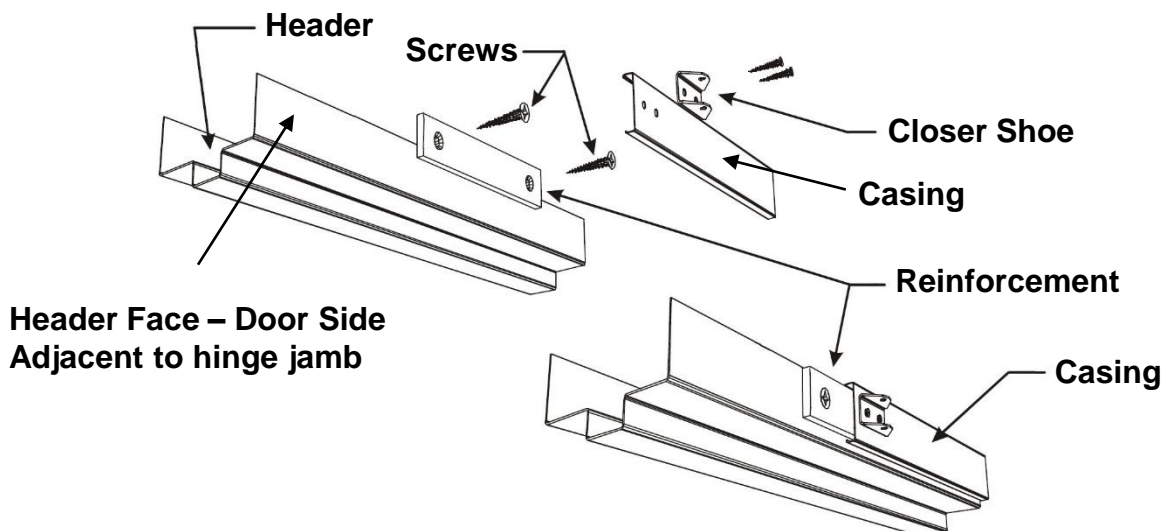
**IDP Inc
21300 W. 8 Mile Rd.
Southfield, MI 48075
248-352-0044
www.idpframes.com**

REGULAR ARM CLOSER FIELD INSTALLATION

1. Correctly position closer reinforcement on face of frame header and centered where the door closer shoe is to be mounted and aligned under casing.
2. Mount the reinforcement flush to header face by drilling pilot holes (2) in the header through the countersunk holes in the reinforcement and secure with flat head wood or sheet metal screws.
4. Install header casing.
5. Position closer shoe on frame / casing and drill pilot or tap drill holes through the casing and regular arm closer reinforcement.
6. Tap these holes as per the Closer Manufacturer's Installation Instructions.
7. Screw apply the closer shoe to the frame / reinforcement and over the casing.



Example of a regular arm closer installed on a heavy duty commercial 4" header face frame. The described installation is simulating the installation by fastening thru the casing on a screw-on/nail-on type frame, such as F Series, KF Series, KA Series, NK2A Series and K2A Series.



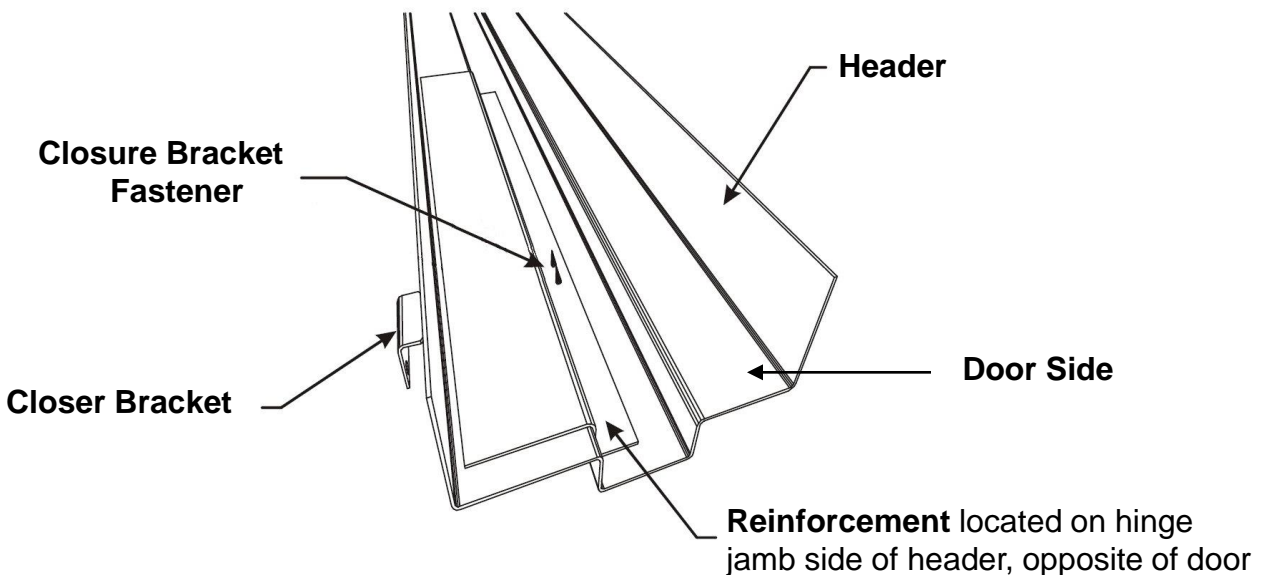
PARALLEL ARM CLOSER INSTALLATION

(IF FRAME IS NOT ORDERED WITH WELDED-IN REINFORCEMENT)

1. **Correctly position parallel arm closer reinforcement is to be located on the inside of frame header as shown below. Clean with solvent and let dry. It is recommended to scuff painted surface to insure tape adhesion.**
2. **Remove paper backing on the two strips of tape to expose double face tape; securely press into position to inside of header.**
3. **Drill and tap through frame and reinforcement for mounting of closer shoe.**
4. **Complete installation of frame and door following the appropriate instructions**



Example of a parallel arm closer



RIM EXIT DEVICE INSTALLATION

(IF FRAME IS NOT ORDERED WITH WELDED-IN REFINRCEMENT)

1. Determine the position of the Rim Exit Reinforcement on the inside of latch (strike) jamb. Clean with solvent and let dry. It is recommended to scuff painted surface to insure tape adhesion.
2. Remove paper backing on the two strips of tape to expose double face tape; securely press into position to inside of latch jamb centering vertically to Rim Strike Location and adjacent to.
3. Drill and tap through frame and reinforcement for mounting of surface applied strike hardware
4. Complete installation of frame and door following the appropriate instructions

